

NTR™ SERIES

**SAMPLE
& BLEED VALVES**



No TOOLS REQUIRED

NTR™ Bleed & Sample Valves

Featuring Twist-N-Pop™ Technology



BIOPHARMACEUTICAL PRODUCTS

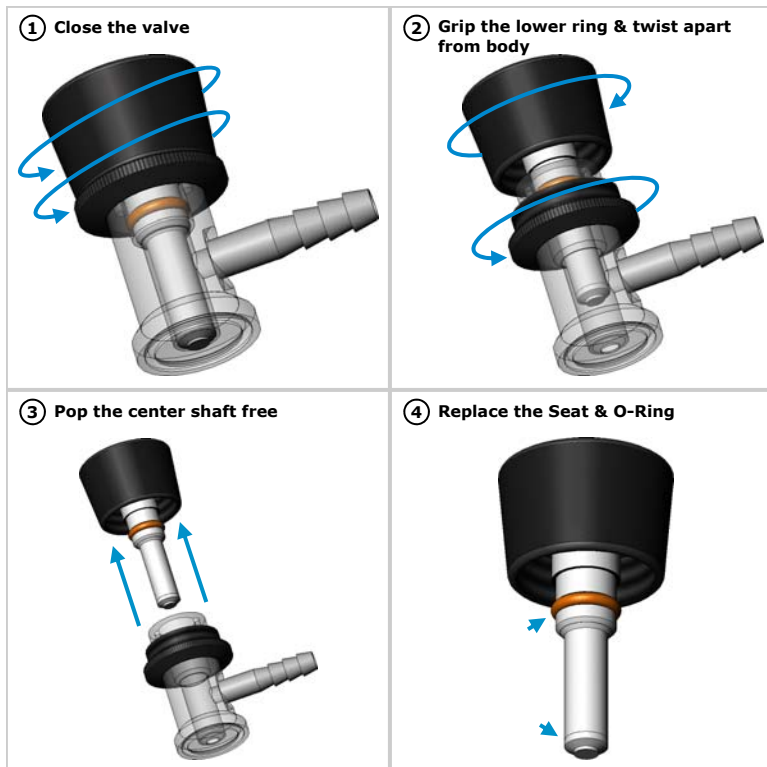
*High Purity In-Line, Angle,
Bleed & Sample Valves*

Features/Benefits

- **NTR Technology = No Tools Required Provides Easy Assembly & Disassembly**
- **316L Stainless Steel Construction**
- **20RA/EP Standard**
- **BPE Compliant Materials**
- **PT Silicone + PTFE/TFM Rebuild Kits**
- **High Temperature Polyetherimide Handle**
- **Autoclavable**
- **S.I.P. - C.I.P. Sterilizable**
- **No Dead Leg**
- **Color Coding Options Available**

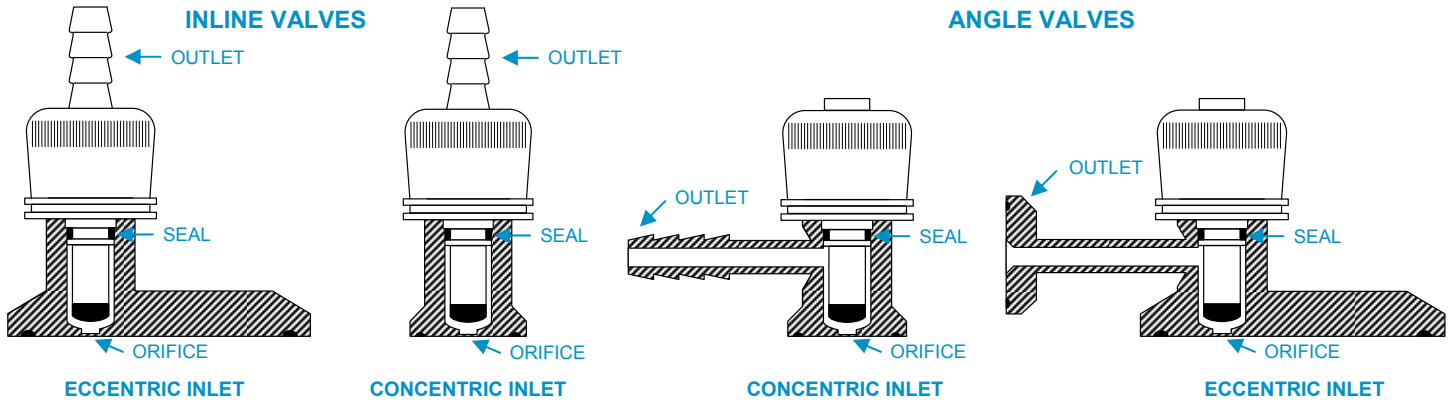
Typical Applications

- **Transfer Panel Drain Caps**
- **Continuous Bleed Water Drops**
- **Housing/Pump Air Bleed**
- **Sampling**
- **Titrations**
- **Media Applications**



NTR™ Bleed & Sample Valves

Ordering Information



VALVE TYPE	
I	INLINE
A	ANGLE

INLET ORIFICE	
BV	BLEED VALVE 3/16" DIAMETER INLET ORIFICE
SV	SAMPLE VALVE 3/8" DIAMETER INLET ORIFICE

INLET TRI-CLAMP CONNECTION	
12	FRACTIONAL
16	1"
24	1 1/2"
32	2"
40	2 1/2"
48	3"
56	3 1/2"
64	4"

INLET STYLE	
CO	CONCENTRIC (ALL SIZES)
EC	ECCENTRIC (1"+ INLET ONLY)

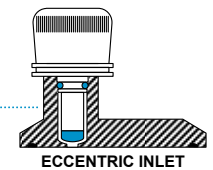
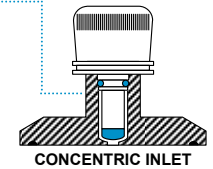
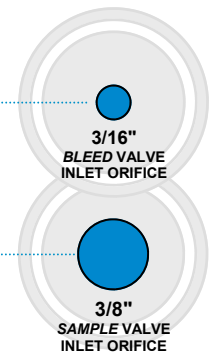
OUTLET SIZE		
02	1/8"	} BLEED VALVE ONLY
03	3/16"	
04	1/4"	
06	3/8"	} SAMPLE VALVE ONLY
08	1/2"	

OUTLET TYPE	
HB	HOSE BARB
TU	TUBE
TC	TRI-CLAMP (ANGLE VALVE ONLY)

FINISH	
E	20 Ra EP (STANDARD)
F	10 Ra EP

SEAL	
1	RED SILICONE
2	EPDM
3	PLATINUM CURED CLEAR SILICONE
4	VITON®

COLOR CODING (OPTIONAL—LEAVE BLANK FOR BLACK)	
Y	YELLOW
R	RED
B	BLUE
G	GREEN



<< Valve Part Number