

90° Elbow Style Sanitary Tri-Clamp® Fitting

Fitting Specifications



Style 10L/11L

Description

90° Sanitary elbow in "Mini" and sanitary clamp styles. 45° Sanitary elbows available by special order, consult Sani-Tech West for more information.

Materials

Type 316L Stainless Steel, standard.

Temperature/Pressure rating (full-size clamp style only)

Pressure and temperature ratings of sanitary assemblies are dependant upon clamp pressure ratings and gasket material temperature ratings. Generally clamps are pressure rated as follows:

Standard Weight Style

150 PSIG @ 70°F
125 PSIG @ 250°F

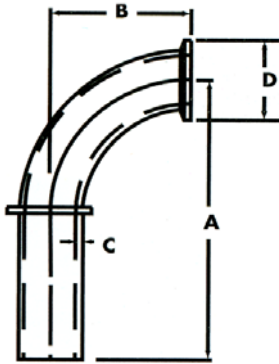
High Pressure Bolt Style

1500 PSIG @ 70°F
1200 PSIG @ 250°F

Heavy Weight Style

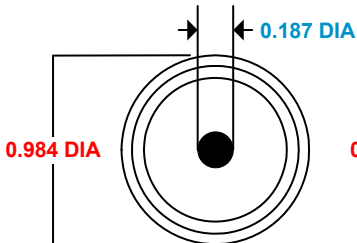
500 PSIG @ 70°F
250 PSIG @ 250°F

Consult actual hose pressure rating. Use lower of Hose/Fitting combination to determine maximum working pressure.

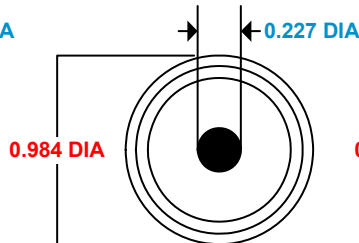


Hose Size ID (in.)	Part Number	Centerline to fitting End 'A' (in.)	Centerline to Face 'B' (in.)	Wall Thickness 'C' (in.)	Fitting OD 'D' (in.)
1/2	160811LSK	4.465	1.625	.065	0.98
3/4	161211LSK	4.725	1.625	.065	0.98
1	381610LSK	4.895	2.000	.065	1.98
1 1/2	382410LSK	6.360	2.750	.065	1.98
2	383210LSK	8.015	3.500	.065	2.49
2 1/2	384010LSK*	*	4.250	.065	3.05
3	384810LSK*	10.159	5.000	.065	3.58
4	386410LSK*	12.608	6.625	0.83	4.675

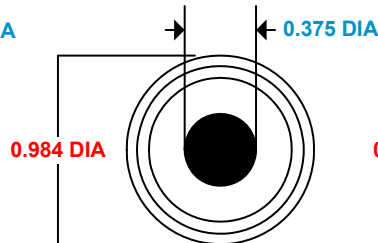
*Consult Sani-Tech West



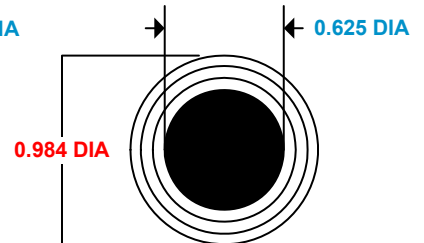
1/4" MINI Tri-Clamp



3/8" MINI Tri-Clamp



1/2" MINI Tri-Clamp

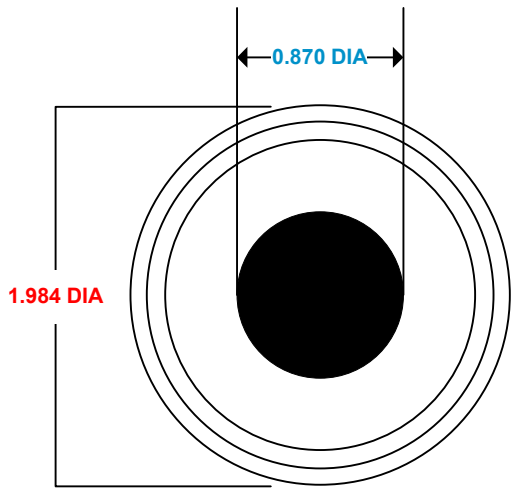


3/4" MINI Tri-Clamp

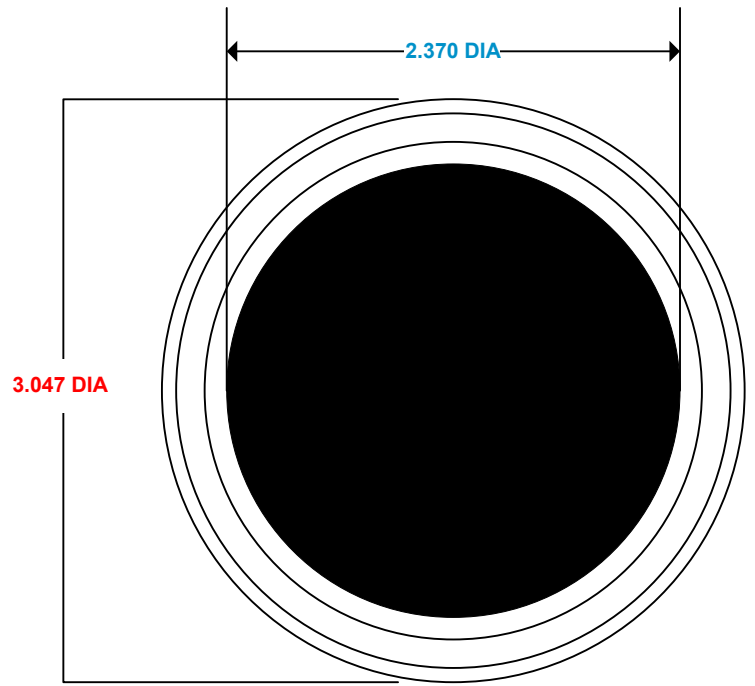
See next page for 1" - 3" guides



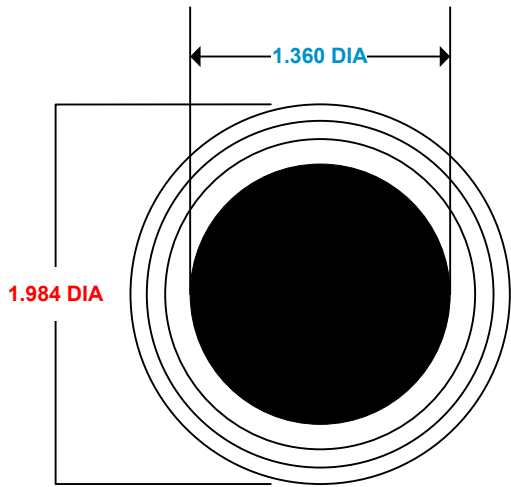
321 Irving Drive
Oxnard, CA 93030
(800) 726-4835
www.sani-techwest.com



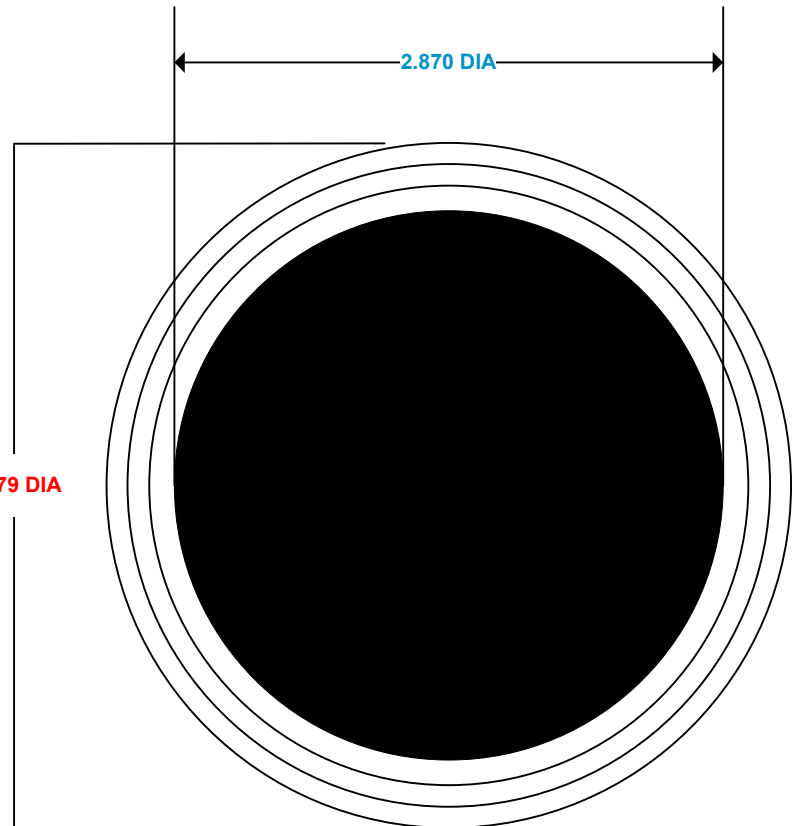
1" LADDISH Tri-Clamp



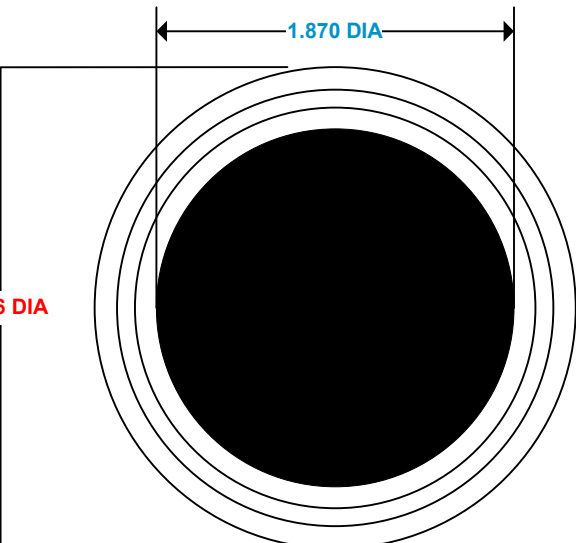
2 1/2" Tri-Clamp



1 1/2" Tri-Clamp



3" Tri-Clamp



2" Tri-Clamp

Tri-Clamp® is a registered trademark of Alfa Laval Inc.



321 Irving Drive
Oxnard, CA 93030
(800) 726-4835
www.sani-techwest.com