

Description

ABC single-use bioprocessing bags and liners are designed for the preparation, collection, storage and transport of biopharmaceutical liquids. Using proven materials and components, these products were developed to be readily integrated into new and existing single-use process applications.

For Use With

- Cylindrical Tanks
- Stainless Tanks
- Drums
- Plastic Totes

Single-Use Bags 50 to 500 Liters



Applications

ABC single-use bags provide broad chemical compatibility for safe handling of a wide range of biopharmaceutical liquids.

Typical applications include:

- Buffer and media storage
- Bioreactor feed and harvest
- Intermediate product hold
- Chromatography feed
- Fraction collection
- Final product hold

Flexibility

ABC standard single-use bags incorporate a variety of features allowing easy integration into single-use process applications:

- 2D & 3D designs
- Top or bottom drain
- Recirculation loop
- Needle-free sampling port
- May be used with sterile welder

Materials and Components

ABC single-use bags are constructed of multilayer films optimized for bioprocess production applications. Film materials are consistent throughout the product range, with LDPE as the fluid contact material and EVOH as the gas barrier layer. All standard products are certified to be free of animal derived components.

Validation

ABC single-use bags have been qualified using widely accepted test methods.

ISO 10993-5 Cytotoxicity, In Vitro

USP <88> Class VI, In Vivo

ISO 11137 Sterilization of medical devices

ISO 11137 Bioburden

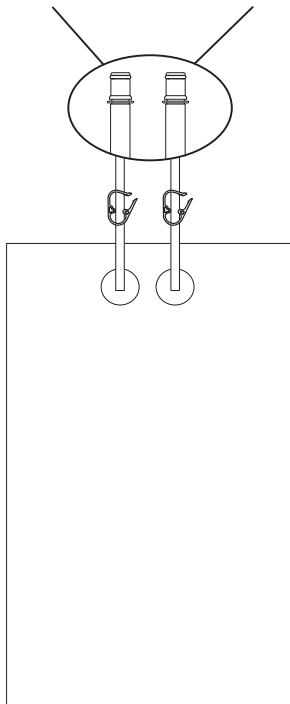
USP <788> Particulate matter in injectables

Extractables and Leachables

ASTM Physical Properties

Port 1

Port 2

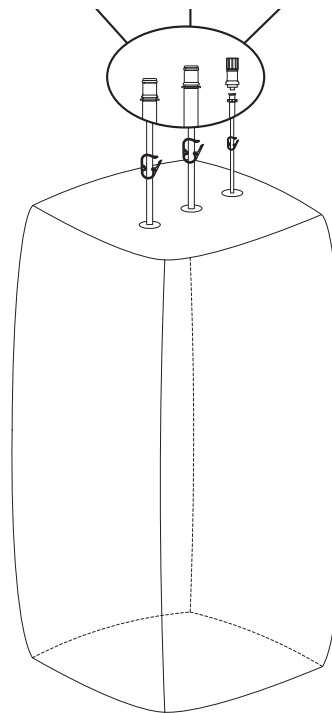


With C-Flex® Clear 374 Tubing, MPC Insert Fittings (Male)

2D Pillow Construction

Bottom Drain Available

Port 1 Port 2 Port 3



With C-Flex Clear 374 Tubing, MPX Insert Fittings (Male), Female Luer®Lock with Needle-Free Sampling Port

3D Construction

2D Bags for Cylindrical Tanks ■ 30" Tubing Length

Part Number	Description	Tubing	Port 1	Port 2	Qty/Box
BP0050LP	ABC 50L Pillow Bag, STD 2 ports	C-Flex Clear 374	3/8" x 5/8" x 30" (76.20cm) MPC Insert, Port Cover, Pinch Clamp	3/8" x 5/8" x 30" (76.20cm) MPC Insert, Port Cover, Pinch Clamp	5
BP0100LP	ABC 100L Pillow Bag, STD 2 ports	C-Flex Clear 374	3/8" x 5/8" x 30" (76.20cm) MPC Insert, Port Cover, Pinch Clamp	3/8" x 5/8" x 30" (76.20cm) MPC Insert, Port Cover, Pinch Clamp	5
BP0200LP	ABC 200L Pillow Bag, STD 2 ports	C-Flex Clear 374	3/8" x 5/8" x 30" (76.20cm) MPC Insert, Port Cover, Pinch Clamp	3/8" x 5/8" x 30" (76.20cm) MPC Insert, Port Cover, Pinch Clamp	5

3D Bags for Cylindrical Tanks ■ 30" Tubing Length

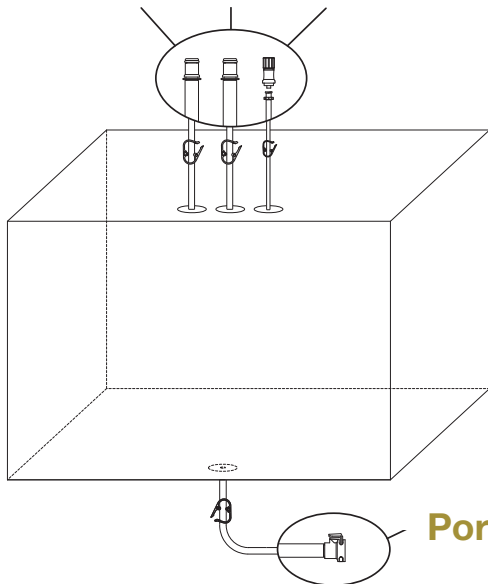
Part Number	Description	Tubing	Port 1	Port 2	Port 3	Qty/Box
BP0050LD	ABC 50L 3D Bag, STD 3 ports	C-Flex Clear 374	1/2" x 3/4" x 30" (76.20cm) MPX Insert, MPX Cap, Pinch Clamp	1/2" x 3/4" x 30" (76.20cm) MPX Insert, MPX Cap, Pinch Clamp	1/8" x 1/4" x 30" (76.20cm) LL Female + Needle-Free Sampling Port, Luer Cap, Pinch Clamp	5
BP0100LD	ABC 100L 3D Bag, STD 3 ports	C-Flex Clear 374	1/2" x 3/4" x 30" (76.20cm) MPX Insert, MPX Cap, Pinch Clamp	1/2" x 3/4" x 30" (76.20cm) MPX Insert, MPX Cap, Pinch Clamp	1/8" x 1/4" x 30" (76.20cm) LL Female + Needle-Free Sampling Port, Luer Cap, Pinch Clamp	5
BP0200LD	ABC 200L 3D Bag, STD 3 ports	C-Flex Clear 374	1/2" x 3/4" x 30" (76.20cm) MPX Insert, MPX Cap, Pinch Clamp	1/2" x 3/4" x 30" (76.20cm) MPX Insert, MPX Cap, Pinch Clamp	1/8" x 1/4" x 30" (76.20cm) LL Female + Needle-Free Sampling Port, Luer Cap, Pinch Clamp	5
BP0300LD	ABC 300L 3D Bag, STD 3 ports	C-Flex Clear 374	1/2" x 3/4" x 30" (76.20cm) MPX Insert, MPX Cap, Pinch Clamp	1/2" x 3/4" x 30" (76.20cm) MPX Insert, MPX Cap, Pinch Clamp	1/8" x 1/4" x 30" (76.20cm) LL Female + Needle-Free Sampling Port, Luer Cap, Pinch Clamp	2
BP0500LD	ABC 500L 3D Bag, STD 3 ports	C-Flex Clear 374	1/2" x 3/4" x 30" (76.20cm) MPX Insert, MPX Cap, Pinch Clamp	1/2" x 3/4" x 30" (76.20cm) MPX Insert, MPX Cap, Pinch Clamp	1/8" x 1/4" x 30" (76.20cm) LL Female + Needle-Free Sampling Port, Luer Cap, Pinch Clamp	2

Ordering Information

Email: sales@appliedbpc.com | Phone: 763-398-1560 | Fax: 763-398-1589

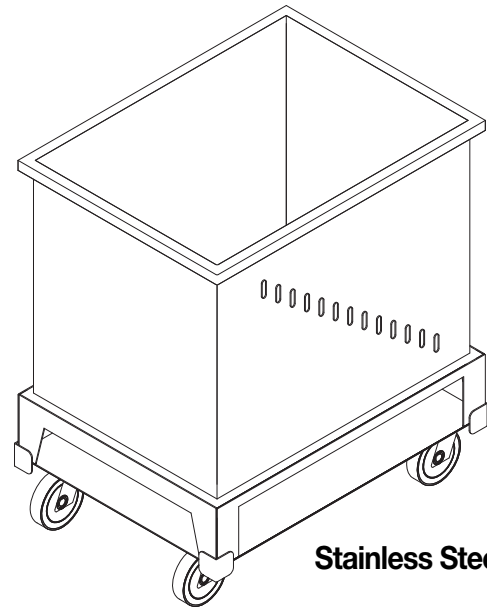
Standard 3D Bags for Rectangular Tanks 200 Liter - 500 Liter

Port 1 Port 2 Port 3



With C-Flex® Clear
374 Tubing, MPX
Fittings (Male &
Female), Female
Luer®Lock with
Needle-Free
Sampling Port

3D Construction



Stainless Steel Tank

3D Bags for Rectangular Tanks ■ 30" Tubing Length

Part Number	Description	Tubing	Port 1 & Port 2	Port 3	Port 4	Qty/Box
BP0200LB	ABC 200L 3D Bag, STD 4 ports	C-Flex Clear 374	1/2" x 3/4" x 30" (76.20cm) MPX Insert, MPX Cap, Pinch Clamp	1/8" x 1/4" x 30" (76.20cm) LL Female + Needle-Free Sampling Port, Luer Cap, Pinch Clamp	1/2" x 3/4" x 30" (76.20cm) MPX Body, MPX Plug, Pinch Clamp	1
BP0500LB	ABC 500L 3D Bag, STD 4 ports	C-Flex Clear 374	1/2" x 3/4" x 30" (76.20cm) MPX Insert, MPX Cap, Pinch Clamp	1/8" x 1/4" x 30" (76.20cm) LL Female + Needle-Free Sampling Port, Luer Cap, Pinch Clamp	1/2" x 3/4" x 30" (76.20cm) MPX Body, MPX Plug, Pinch Clamp	1

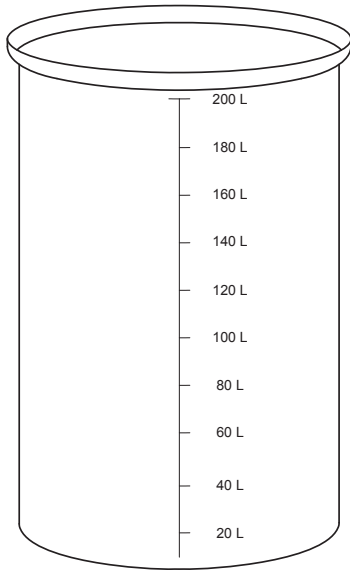
Large Volume Stainless Steel Tanks

Part Number	Description	Material	Dimensions (w x d x h)	Qty
TXB0200LB	ABC 200L Stainless Tank	304L Stainless Steel, Bead Blasted	29.00" x 21.00" x 21.38" (737 x 533 x 543 mm)	1
TXB0200LF	ABC 200L Stainless Tank Frame	304L Stainless Steel, Bead Blasted	31.00" x 23.00" x 6.00" (787 x 584 x 152 mm)	1
TXB0200LD	ABC 200L Stainless Tank Dolly	304L Stainless Steel, Bead Blasted	31.25" x 23.25" x 6.75" (794 x 591 x 171 mm)	1
TXB0500LB	ABC 500L Stainless Tank	304L Stainless Steel, Bead Blasted	44.75" x 29.00" x 27.25" (1137 x 737 x 692 mm)	1
TXB0500LF	ABC 500L Stainless Tank Frame	304L Stainless Steel, Bead Blasted	47.00" x 31.00" x 6.00" (1194 x 787 x 152 mm)	1
TXB0500LB	ABC 500L Stainless Tank Dolly	304L Stainless Steel, Bead Blasted	47.25" x 31.25" x 6.75" (1200 x 794 x 171 mm)	1

Ordering Information

Email: sales@appliedbpc.com | Phone: 763-398-1560 | Fax: 763-398-1589

Standard 3D Liners for Cylindrical Tanks 20 Liter - 500 Liter



Standard 3D Liners for Cylindrical Tanks

Part Number	Description	Base O.D.	Height	Qty/Box
LR0020L	ABC 20L Liner, STD 3D	11.00" (27.94 cm)	15.13" (38.43 cm)	10
LR0030L	ABC 30L Liner, STD 3D	12.44" (31.60 cm)	18.00" (45.72 cm)	10
LR0040L	ABC 40L Liner, STD 3D	13.37" (33.96 cm)	20.37" (51.74 cm)	10
LR0050L	ABC 50L Liner, STD 3D	13.63" (34.62 cm)	27.63" (70.18 cm)	10
LR0100L	ABC 100L Liner, STD 3D	19.56" (49.68 cm)	29.87" (75.87 cm)	10
LR0200L	ABC 200L Liner, STD 3D	22.00" (55.88 cm)	36.13" (91.77 cm)	10
LR0300L	ABC 300L Liner, STD 3D	23.94" (60.81 cm)	48.07" (122.10 cm)	10
LR0400L	ABC 400L Liner, STD 3D	28.37" (72.06 cm)	44.25" (112.40 cm)	10
LR0500L	ABC 500L Liner, STD 3D	31.63" (80.34 cm)	49.31" (125.25 cm)	10

Represented By



Call toll free 1-800-726-4835
or visit us at www.sani-techwest.com