



# Mini Pressure Transmitters

Anderson's HA "Mini" sanitary pressure transmitter is specifically designed for critical measurements in fractional size lines and is available with an autoclaveable option. The product can be ordered with 3/4", 1", or 1-1/2" Tri-Clamp® connections as well as our CPM fitting. This eliminates the need for reducers or adapters, thus reducing hold-up volumes in small lines. Internal zero and span adjustments and easily accessible test points greatly simplify calibration and validation. 316 "L" stainless steel wetted parts are electro-polished to an  $R_a=8$ . Finally, since it's an Anderson "Pharmaceutical Series" product, every transmitter includes a calibration certificate and permanent tag at no charge. Complete specifications appear below, with an ordering matrix and dimensions on the reverse.



## SPECIFICATIONS

### Excitation:

10-40 VDC (Absolute), 24 VDC Nominal regulated or unregulated

### Output:

4-20 mA DC, 2 wire with non-interrupting circuit verification test points

### Loop Resistance:

0-700 ohms at 24 VDC

### Wiring Connection:

16 AWG max.; Screw Terminal; Accessible via removable screw cap conduit housing

### Recommended Cable:

22-24 AWG, foil shielded, and PVC coated.  
(3/16 - 1/4 OD insulation)

### Accuracy:

± 0.5% of full scale

### Repeatability:

± 0.3% of full scale

### Hysteresis:

± 0.10% of full scale

### Linearity:

±0.10% of full scale

### Stability:

±0.30% of calibrated range/6 months

### Storage Temperature:

-40°C to 65°C (-40°F to 149°F)

### Process Temperature Limits:

-1°C to 149°C (30°F to 300°F)  
(Horizontal Mount recommended over 135°C (275°F))

### Ambient Temperature Limits:

-18°C to 49°C (0°F to 120°F)

### Effect of Temperature Change:

± 0.1 psig/5.5°C (10°F) typical

### Over-Range Rating:

2 times base range

### Response Time:

200 µSec

### Wetted Parts:

316L stainless steel electropolished  
( $R_a$  max. = 8 microinches, .2 microns)

### Housing Material:

304 stainless steel  
Rating: NEMA 4x, IP66

### Zero and Span Adjustments:

± 10% of range

### Mounting:

Direct connection

### Electrical Ratings:

Intrinsically safe for use in  
Class 1, Div. 1, Groups A-D; CE Compliant  
(EMC Industrial Locations)

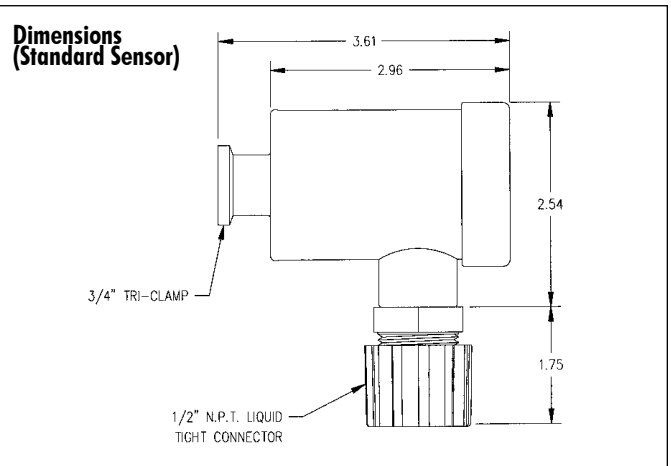
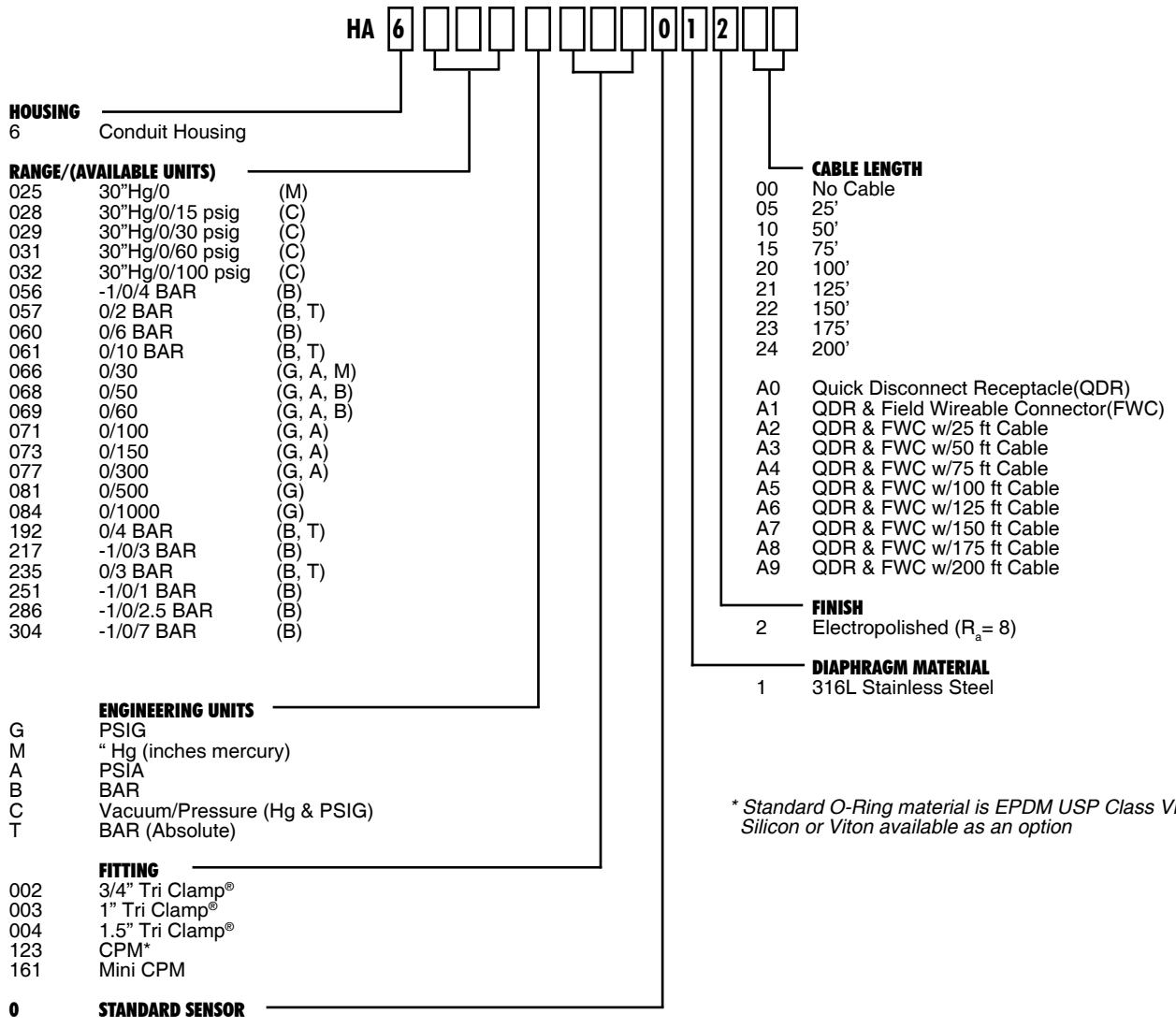
### Standards:

Designed and manufactured to sound engineering practices in accordance with Article 3.3 of the PED 97/23/EC

### Autoclaveable Specifications(Optional):

Contact Anderson for more information.

# Complete Product Ordering Matrix



Form#5003 © 12/97  
Revised: 3/07  
Supercedes: 11/06