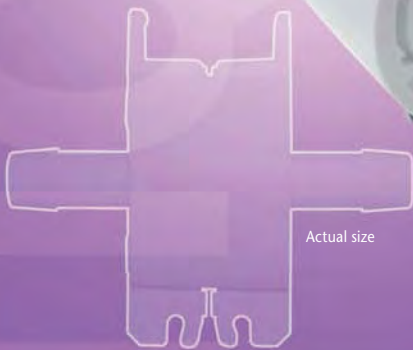


ASEPTIQUICK® S CONNECTOR



AseptiQuick® S Small Format 1/8" and 1/4" Connectors

provide quick and easy sterile connections for small-flow applications, even in non-sterile environments. The "FLIP-CLICK-PULL" design of AseptiQuick S enables users to easily transfer small volumes of media with less risk of operator error. The connector's genderless and robust design provides reliable performance without the need for clamps, fixtures or tube welders. Biopharmaceutical manufacturers can now make 1/8" and 1/4" sterile connections with the quality and market availability they expect from the leader in single-use connection technology.

Features

- Genderless design
- FLIP-CLICK-PULL design
- Integrated pull tab covers
- Robust construction
- Colder Click

Benefits

- Eases single-use systems specifications with one part number for both halves
- Intuitive three-step connection process reduces risk of operator error
- Provide pre-assembly protection and ensure simultaneous removal of both membranes
- Repeatable and reliable performance with no additional hardware required
- Audible confirmation of assembly

Specifications

Pressure: Up to 60 psi, 4.1 bar

Temperature:
39°F to 104°F (4°C to 40°C)

Sterilization:

Gamma: Up to 50kGy irradiation
AutoClave High Temp (HT) Version:
Up to 266°F (130°C) for 30 minutes

Termination Sizes:

1/8" and 1/4" ID hose barb (3.2mm and 6.4mm),
3/4" sanitary and MPC insert

Materials:

Main Components:
Polycarbonate (white), USP Class VI, ADCF

Pull Tabs/Caps:

Polycarbonate (blue, standard version),
USP Class VI, ADCF
Polycarbonate (white, HT version),
USP Class VI, ADCF

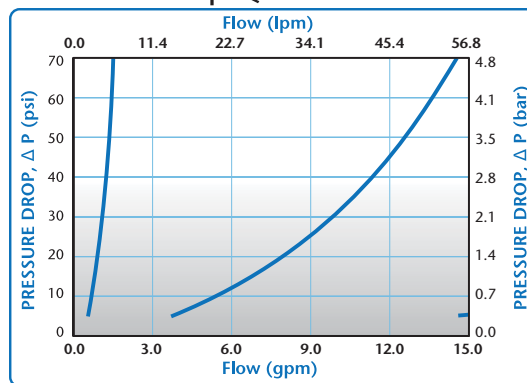
Seals:

Silicone (clear), platinum-cured,
USP Class VI, ADCF

Membrane:

Polyethylene (standard version),
USP Class VI, ADCF
Hydrophobic polyethersulfone (HT version),
USP Class VI

AseptiQuick S Flow



This graph is intended to give you a general idea of the performance capabilities of each product line. The shaded area of the graph represents the operating range of the product family, i.e. upper and lower values are shown. Therefore, depending on the exact coupling configurations selected, you can reasonably expect values to fall within the shaded area.

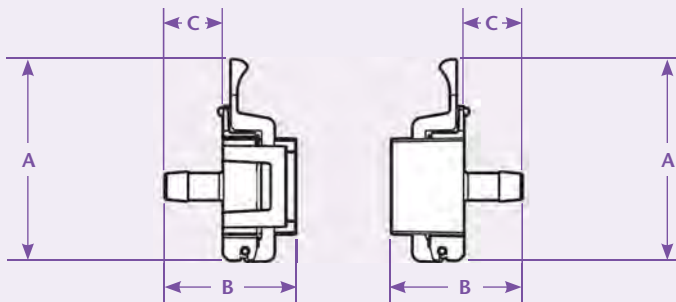
Distributed By



1-800-726-4835
www.sani-techwest.com

Product Dimensions

A = Height/Diameter
 B = Total Length
 C = Hose Barb Length



Coupling Bodies



POLYCARBONATE with Blue Pull Tab Covers

TERMINATION	PART NO.	A	B	C
1/8" HOSE BARB	AQS17002	2.25	1.30	0.50
1/4" HOSE BARB	AQS17004	2.25	1.45	0.65
3/4" SANITARY	AQS33012	2.25	1.60	0.80
MPC INSERT	AQS17MPC	2.25	1.49	0.69

COMING SOON!



POLYCARBONATE HT Version with White Pull Tab Covers

TERMINATION	PART NO.	A	B	C
1/8" HOSE BARB	AQS17002HT	2.25	1.30	0.50
1/4" HOSE BARB	AQS17004HT	2.25	1.45	0.65
3/4" SANITARY	AQS33012HT	2.25	1.60	0.80
MPC INSERT	AQS17MPCHT	2.25	1.49	0.69

COMING SOON!



DID YOU KNOW... Colder offers a full line of AseptiQuik® Connectors? Biopharmaceutical manufacturers now have an extensive range of options for sterile connect and sterile disconnect of single-use systems.

AseptiQuik Connectors enable operators to make a quick and easy sterile connection between two single-use systems, even in non-sterile environments.

AseptiQuik DC Connectors are the first all-in-one connector to enable operators to make both a sterile connect and a sterile disconnect.

AseptiQuik S Connectors deliver quick and easy sterile connections for 1/8" and 1/4" small-flow applications.

AseptiQuik STC Connectors allow operators to use a Steam-In-Place (SIP) process to connect an AseptiQuik sterile connector to stainless processing equipment.

AseptiQuik X Connectors provide quick and easy 1" sterile connections for high-flow applications.

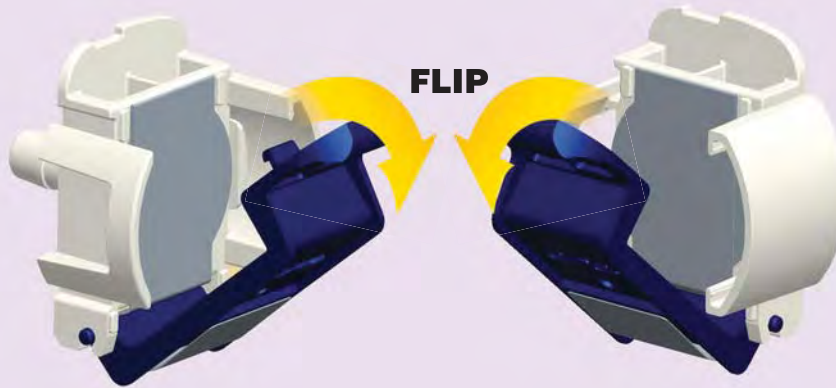
All of our bioprocessing connections are manufactured in an ISO Class 7 certified cleanroom and all fluid contact materials meet USP Class VI and ADCF requirements. Contact us for validation reports, biocompatibility and extractables data.

Call toll free 1-800-726-4835 or visit us at www.sani-techwest.com

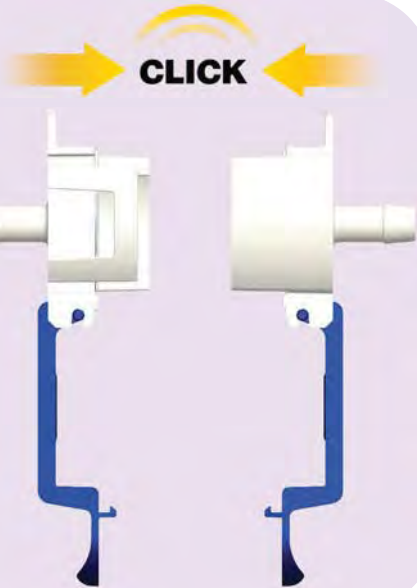
FLIP-CLICK-PULL Assembly Procedure

1

Unsnap and flip down the protective pull tab cover on each connector half.



2

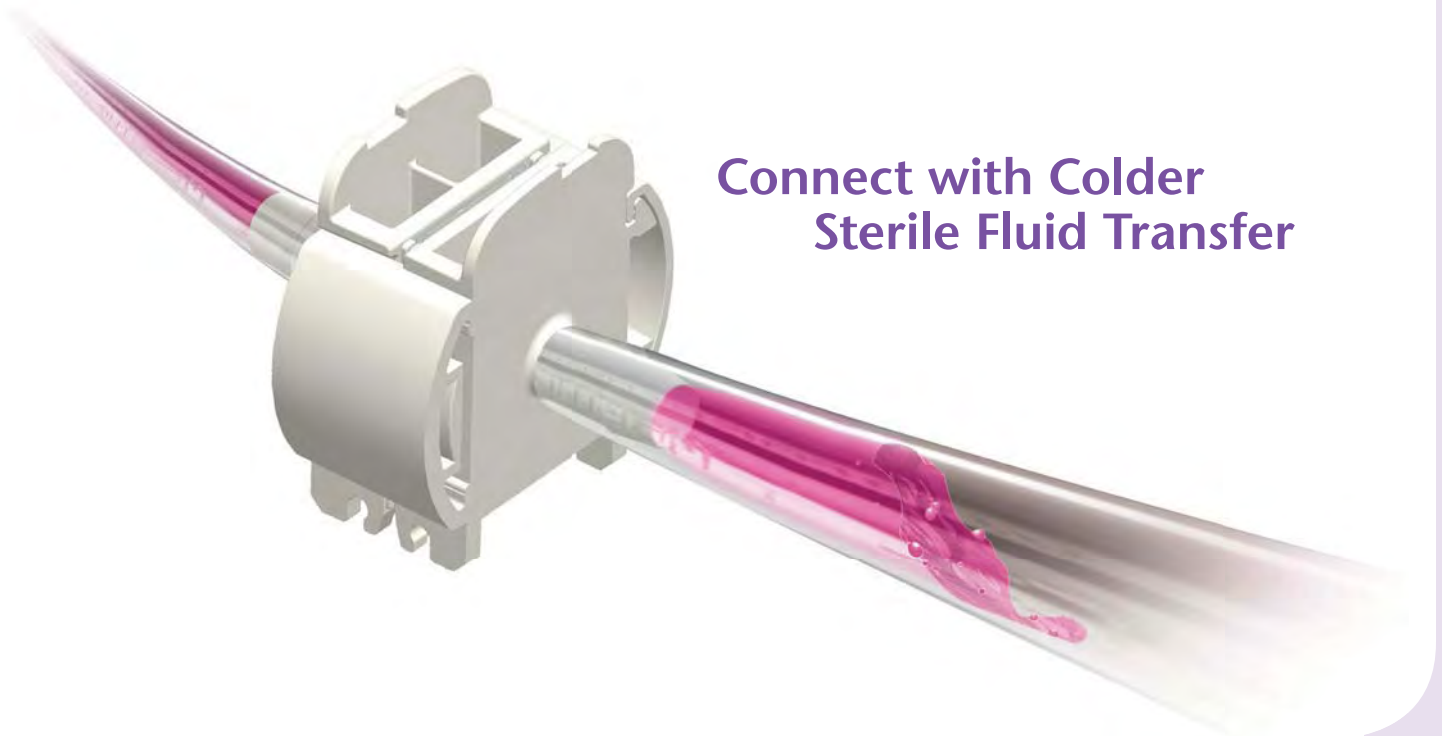


Align the connector halves with the pull tab covers hanging down. Click the two halves together until confirmed by the audible "Colder Click" confirmation.

3



To complete the connection, simply snap the pull tab covers together by pushing the CPC logos and "pull" the membranes from connector.



**Connect with Colder
Sterile Fluid Transfer**



COLDER PRODUCTS COMPANY

Colder Products Company is the leader in the design and manufacture of single-use connection technology and connectors for the life sciences markets. Colder offers a wide variety of bioprocessing solutions including sterile connect, sterile disconnect, SIP connections and quick connects. Our innovative designs provide flexibility for biopharmaceutical manufacturers to easily combine multiple components, single-use or hybrid systems including process containers, tubing manifolds, transfer lines, bioreactors and other bioprocess equipment.

Robust and easy-to-use single-use connectors from Colder maintain flow path sterility and integrity while enabling biopharmaceutical manufacturers to improve production yields, decrease time-to-market and reduce costs. Colder is ISO 13485 certified and our products for bioprocessing applications are manufactured in an ISO Class 7 certified cleanroom.

For applications where reliability and sterility are a must, Connect with Colder.

Founded in St. Paul, Minn. in 1978, Colder offers more than 7,500 standard and custom products with offices in nine countries and distributor representation in North America, Europe, Asia, South America and Australia. Colder is a Dover company.



Colder Products Company

A DOVER COMPANY

Colder Products Company
1001 Westgate Drive
St. Paul, Minnesota 55114
U.S.A.

Phone: 651-645-0091
Fax: 651-645-5404
Toll Free: 800-444-2474
info@colder.com
www.colder.com

Colder Products Company GmbH
Schmalweg 50
D-55252 Mainz-Kastel
Germany

Phone: +49-6134-2878-0
Fax: +49-6134-287828

cpcgmbh@colder.com
www.colder.com

Colder Products Company Limited
Flat B, 29/F., West Gate Tower,
7 Wing Hong Street,
Cheung Sha Wan.
Kowloon, Hong Kong
Phone: 852-2987-5272
Fax: 852-2987-2509

asiapacific@colder.com
www.colder.com

Distributed BY:



Call toll free 1-800-726-4835
or visit us at www.sani-techwest.com

Colder Patent Statement: Colder Products Company takes pride in its innovative quick disconnect coupling solutions, many of which have been awarded United States and International patents. Colder Products Company has a strong tradition of leadership in the quick disconnect market, and aggressively pursues and protects its proprietary information and intellectual property. In cases where it is practical and as a benefit to its customers, Colder Products Company has licensed its proprietary technology. Please contact Colder Products to discuss your unique needs.

CPC Warranty Statement: Colder Products Company warrants its products against defects in workmanship and materials a period of 12 months from the date of sale by Colder Products Company to its initial customer (regardless of any subsequent sale of the products). This warranty is void if the product is misused, altered, tampered with or is installed or used in a manner that is inconsistent with Colder Product Company's written recommendations, specifications and/or instructions, or fails to perform due to normal wear and tear. Colder Products Company does not warrant the suitability of the product for any particular application. Determining product application suitability is solely the customer's responsibility. Colder Products Company is not liable for special, indirect, incidental, consequential or other damages including, but not limited to, loss, damage, personal injury, or any other expense directly or indirectly arising from the use of or inability to use its products either separately or in combination with other products. ALL OTHER WARRANTIES EXPRESS OR IMPLIED, WHETHER ORAL, WRITTEN OR IN ANY OTHER FORM, INCLUDING BUT NOT LIMITED TO WARRANTIES OF MERCHANTABILITY OR FITNESS FOR A PARTICULAR PURPOSE, ARE EXPRESSLY EXCLUDED.

The sole and exclusive remedy under this warranty is limited, at the option of Colder Products Company, to replacement of the defective product or an account credit in the amount of the original selling price. All allegedly defective Colder Products Company products must be returned prepaid transportation to Colder Products Company, together with information describing the product's application and performance, unless otherwise authorized in writing by Colder Products Company.

WARNING: Due to the wide variety of possible fluid media and operating conditions, unintended consequences may result from the use of this product, all of which are beyond the control of Colder. It is the user's responsibility to carefully determine and test for compatibility for use with their application. All such risks shall be assumed by the buyer.