

Sani-Tech® Valves

Non-Metallic Sanitary Valves



Sani-Tech® manufactures non-metallic sanitary valves for most high-purity fluid applications.

Sani-Tech® valves can be used for tank connections, venting, point-of-use, or isolating fluid streams, and are manufactured with sanitary connections for easy installation.

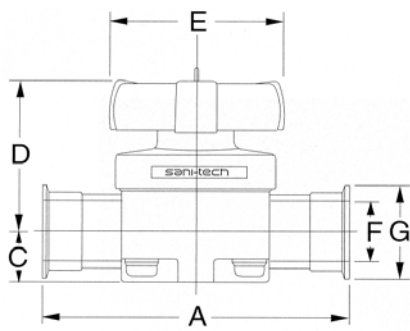
Available in 2 or 3-way configurations in both polypropylene and PVDF materials, and in several designs.



<u>Manual Diaphragm Valves</u>	<u>Page 2</u>
<u>Manual Zero Dead Leg (ZDL) Valves</u>	<u>Page 2</u>
<u>2 Way Ball Valve Valves</u>	<u>Page 3</u>
<u>Ball Check Valves</u>	<u>Page 3</u>
<u>Air Actuated Zero Dead Leg Valves</u>	<u>Page 4</u>
<u>Air Actuated Diaphragm Valves</u>	<u>Page 5</u>
<u>2 Way Air Ball Valves</u>	<u>Page 6</u>
<u>2 Way Electric Actuated Ball Valves</u>	<u>Page 6</u>
<u>3 Way Ball Valves</u>	<u>Page 7</u>
<u>3 Way Air to Air Ball Valves</u>	<u>Page 7</u>
<u>3 Way Air to Spring Ball Valves</u>	<u>Page 8</u>
<u>3 Way Electric Actuated Ball Valves</u>	<u>Page 8</u>
<u>Pressure Regulating Valves</u>	<u>Page 9</u>
<u>Pressure Relief Valves</u>	<u>Page 9</u>

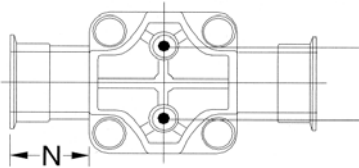
<u>Page 2</u>
<u>Page 2</u>
<u>Page 3</u>
<u>Page 3</u>
<u>Page 4</u>
<u>Page 5</u>
<u>Page 6</u>
<u>Page 6</u>
<u>Page 7</u>
<u>Page 7</u>
<u>Page 8</u>
<u>Page 8</u>
<u>Page 9</u>
<u>Page 9</u>

Manual Diaphragm Valves



For use in high-purity water, chemical and process lines. Valves have a smooth fluid path with no pockets to harbor bacteria or contaminants. Fluid comes in contact with only two valve components, the body and diaphragm.

SIZE	PART #	A	C	D	E	F	G	N	Cv
MINI	(T,K)DV075	4.65	0.76	3.45	2.30	0.856	0.992	1.30	4.0
MAXI	(T,K)DV100	5.50	0.85	3.50	3.50	0.856	1.500	1.44	12.3
LADISH	(T,K)DV100L	5.65	0.85	3.50	3.30	1.356	1.984	1.47	12.3
1 1/2"	(T,K)DV150	6.90	1.85	4.50	4.50	1.856	1.984	1.70	21.0
2"	(T,K)DV200	7.72	1.26	4.50	4.50	2.356	2.516	1.90	29.2
2 1/2"	(T,K)DV250	8.90	1.18	5.55	5.47	2.560	3.047	2.36	53.7
3"	(T,K)DV300	15.50	2.15	*	*	2.856	3.579	3.88	91.0



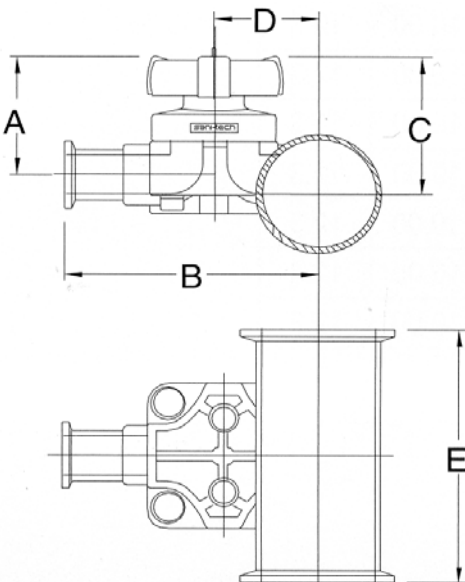
EPDM IS STANDARD DIAPHRAGM MATERIAL
PLACE "TF" AT THE END OF PART # FOR FLUOROPOLYMER DIAPHRAGM
 *Consult Sani-Tech West

Manual Zero Dead Leg Valves



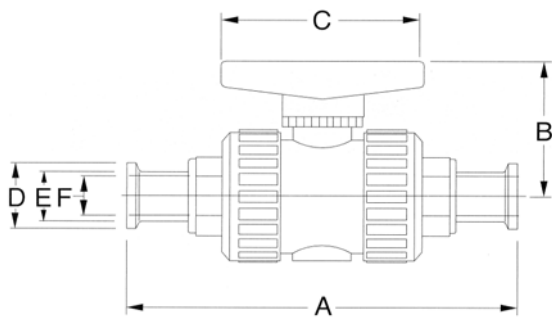
These unique valves combine a diaphragm valve, tee and reducer into one and eliminate all "dead legs" and stagnant areas found in conventional valve/tee assemblies. Designed to provide a long service life in pharmaceutical, biotech, semiconductor and laboratory systems.

SIZE	PART #	A	B	C	D	E	Cv
MINI x MINI	(T,K)ZD075-075	3.36	2.70	3.86	0.45	6.13	4.0
MINI x MAXI	(T,K)ZD100-075	3.54	3.20	4.04	0.70	7.00	6.50
MINI x LADISH	(T,K)ZD100L-075	3.54	3.30	4.04	0.75	7.00	6.50
MINI x 1 1/2"	(T,K)ZD150-075	3.54	4.10	3.94	1.40	5.50	6.50
MINI x 2"	(T,K)ZD200-075	3.54	4.60	4.04	1.80	7.00	6.50
MINI x 2 1/2"	(T,K)ZD250-075	3.54	4.40	4.34	1.70	7.00	6.50
MINI x 3"	(T,K)ZD300-075	3.54	4.40	4.44	1.70	7.50	6.50
MAXI x MAXI	(T,K)ZD100-100	3.54	3.50	4.04	0.70	7.00	12.3
MAXI x LADISH	(T,K)ZD100L-100	3.54	3.50	4.04	0.75	7.00	12.3
MAXI x 1 1/2"	(T,K)ZD150-100	3.54	4.00	3.94	1.30	5.50	12.3
MAXI x 2"	(T,K)ZD200-100	3.54	4.60	4.04	1.80	7.00	12.3
MAXI x 2 1/2"	(T,K)ZD250-100	3.54	4.40	4.34	1.70	7.00	12.3
MAXI x 3"	(T,K)ZD300-100	3.54	4.40	4.44	1.70	7.50	12.3
LADISH x MAXI	(T,K)ZD100-100L	3.54	3.50	4.04	0.70	7.00	12.3
LADISH x LADISH	(T,K)ZD100L-100L	3.54	3.50	4.04	0.75	7.00	12.3
LADISH x 1 1/2"	(T,K)ZD150-100L	3.54	4.00	3.94	1.30	5.50	12.3
LADISH x 2"	(T,K)ZD200100L	3.54	4.60	4.04	1.80	7.00	12.3
LADISH x 2 1/2"	(T,K)ZD250-100L	3.54	4.40	4.34	1.70	7.00	12.3
LADISH x 3"	(T,K)ZD300-100L	3.54	4.40	4.44	1.70	7.50	12.3



EPDM IS STANDARD DIAPHRAGM MATERIAL
PLACE "TF" AT THE END OF PART # FOR FLUOROPOLYMER DIAPHRAGM

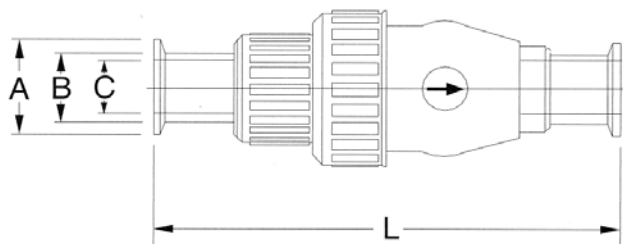
2 Way Ball Valves



Rugged, reliable high-flow valves that provide economical, dependable service in a wide range of chemical and high-purity applications. These valves are compact and feature Teflon® seats and seals for smooth operation, stainless steel shafts and trunnion ball design.

SIZE	PART #	A	B	C	D	E	F	Cv
MINI	(T,K)BV075	4.85	1.85	3.15	0.992	0.750	0.560	10
MAXI	(T,K)BV100	5.20	2.50	3.75	1.500	1.106	0.856	40
LADISH	(T,K)BV100L	5.80	2.50	3.75	1.984	1.106	0.856	40
1 1/2"	(T,K)BV150	7.25	2.50	4.50	1.984	1.606	1.356	100
2"	(T,K)BV200	7.25	3.50	4.50	2.516	2.106	1.856	120
2 1/2"	(T,K)BV250	8.45	3.50	4.50	3.047	2.606	2.356	130
3"	(T,K)BV300	12.00	4.00	4.50	3.579	3.106	2.856	150

Ball Check Valves

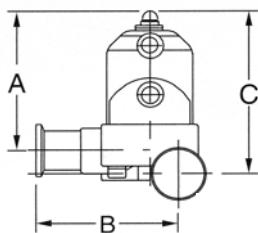


These valves utilize a long-life Viton® seat and floating ball design to allow fluid flow in only one direction for a wide variety of applications. The unique valve design prevents sticking and chattering and allows installation in vertical and horizontal positions.

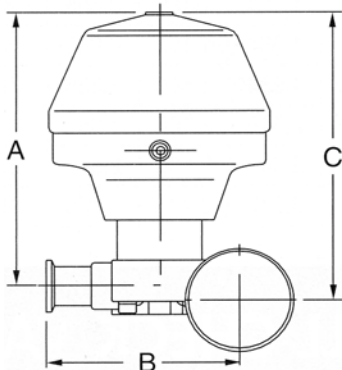
SIZE	PART #	A	B	C	L	Cv
MINI	(T,K)BC075	0.992	0.750	0.560	5.95	8.30
MAXI	(T,K)BC100	1.500	1.106	0.856	6.75	15.4
1/2"	(T,K)BC150	1.984	1.606	1.356	7.85	47.6
2"	(T,K)BC200	2.516	2.106	1.856	8.00	61.6
2 1/2"	(T,K)BC250	3.047	2.606	2.356	9.35	61.6
3"	(T,K)BC300	3.579	3.106	2.856	10.75	84.0

Air Actuated Zero Dead Leg Valves

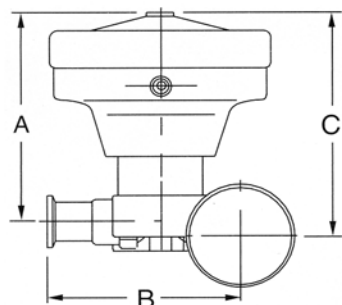
MINI BONNET



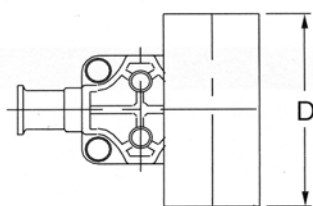
SPRING CLOSED



SPRING OPENED & DOUBLE ACTING



BOTTOM VIEW



SC=Spring Closed, SO=Spring Open, DA=Double Acting

SIZE	PART #	A	B	C	D	Cv
MINI x MINI	(T,K)ZD075-075SC	3.78	2.8	4.23	6.15	4.00
MINI x MINI	(T,K)ZD075-075SO	3.78	2.8	4.23	6.15	4.00
MINI x MINI	(T,K)ZD075-075DA	3.78	2.8	4.23	6.15	4.00
MAXI x MINI	(T,K)ZD100-075SC	6.38	3.2	6.88	7.00	6.50
MAXI x MINI	(T,K)ZD100-075SO	4.96	3.2	4.96	7.00	6.50
MAXI x MINI	(T,K)ZD100-075DA	4.96	3.2	4.96	7.00	6.50
1 1/2" x MINI	(T,K)ZD150-075SC	6.38	4.1	6.78	5.50	6.50
1 1/2" x MINI	(T,K)ZD150-075SO	4.96	4.1	5.36	5.50	6.50
1 1/2" x MINI	(T,K)ZD150-075DA	4.96	4.1	5.36	5.50	6.50
1 1/2" x MAXI	(T,K)ZD150-100SC	6.38	4.1	6.78	5.50	12.3
1 1/2" x MAXI	(T,K)ZD150-100SO	4.96	4.1	5.36	5.50	12.3
1 1/2" x MAXI	(T,K)ZD150-100DA	4.96	4.1	5.36	5.50	12.3
1 1/2" x LADISH	(T,K)ZD150-100LSC	6.38	4.1	6.78	5.50	12.3
1 1/2" x LADISH	(T,K)ZD150-100LSO	4.96	4.1	5.36	5.50	12.3
1 1/2" x LADISH	(T,K)ZD150-100LDA	4.96	4.1	5.36	5.50	12.3
2" x MINI	(*T,K)ZD200-075SC	6.38	4.6	6.88	7.00	6.50
2" x MINI	(*T,K)ZD200-075SO	4.96	4.6	4.96	7.00	6.50
2" x MINI	(*T,K)ZD200-075DA	4.96	4.6	4.96	7.00	6.50
2" x MAXI	(*T,K)ZD200-100SC	6.38	4.4	6.88	7.00	12.3
2" x MAXI	(*T,K)ZD200-100SO	4.96	4.4	4.96	7.00	12.3
2" x MAXI	(T,K)ZD200-100DA	4.96	4.4	4.96	7.00	12.3
2" x LADISH	(*T,K)ZD200-100LSC	6.38	4.4	6.88	7.00	12.3
2" x LADISH	(*T,K)ZD200-100LSO	4.96	4.4	4.96	7.00	12.3
2" x LADISH	(*T,K)ZD200-100LDA	4.96	4.4	4.96	7.00	12.3
2 1/2" x MINI	(*T,K)ZD250-075SC	6.38	4.4	7.18	7.00	6.50
2 1/2" x MINI	(*T,K)ZD250-075SO	4.96	4.4	5.76	7.00	6.50
2 1/2" x MINI	(*TK)ZD250-0750DA	4.96	4.4	5.76	7.00	6.50
2 1/2" x MAXI	(*T,K)ZD250-100SC	6.38	4.4	7.18	7.00	12.3
2 1/2" x MAXI	(*T,K)ZD250-100SO	4.96	4.4	5.76	7.00	12.3
2 1/2" x MAXI	(*T,K)ZD250-100DA	4.96	4.4	5.76	7.00	12.3
2 1/2" x LADISH	(*T,K)ZD250-100LSC	6.38	4.4	7.18	7.00	12.3
2 1/2" x LADISH	(*T,K)ZD250-100LSO	4.96	4.4	5.76	7.00	12.3
2 1/2" x LADISH	(*T,K)ZD250-100LDA	4.96	4.4	5.76	7.00	12.3
3" x MINI	(*T,K)ZD300-075SC	6.38	4.4	7.28	7.50	6.50
3" x MINI	(*T,K)ZD300-075SO	4.96	4.4	5.86	7.50	6.50
3" x MINI	(*T,K)ZD300-075DA	4.96	4.4	5.86	7.50	6.50
3" x MAXI	(*T,K)ZD300-100SC	6.38	4.4	7.28	7.50	12.3
3" x MAXI	(*T,K)ZD300-100SO	4.96	4.4	5.86	7.50	12.3
3" x MAXI	(*T,K)ZD300-100DA	4.96	4.4	5.86	7.50	12.3
3" x LADISH	(*TK)ZD300-100LSC	6.38	4.4	7.28	7.50	12.3
3" x LADISH	(*T,K)ZD300-100LSO	4.96	4.4	5.86	7.50	12.3
3" x LADISH	(*T,K)ZD300-100LDA	4.96	4.4	5.86	7.50	12.3

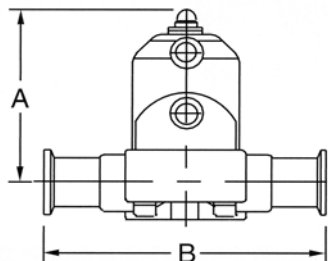
EPDM DIAPHRAGM IS STANDARD

ADD TF TO END OF PART # FOR FLOUROPOLYMER DIAPHRAGM

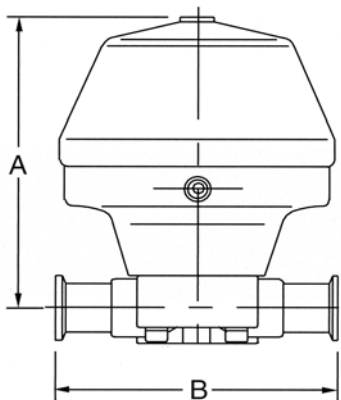
* 2 INCH AND ABOVE POLYPROPYLENE VALVES ARE ZERO STATIC STYLE

Air Actuated Diaphragm Valves

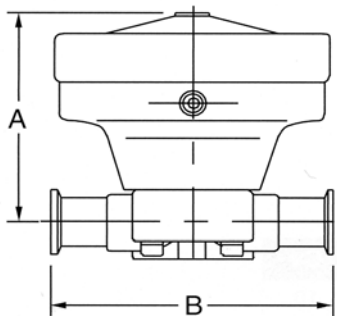
MINI BONNET



SPRING CLOSED



SPRING OPENED & DOUBLE ACTING

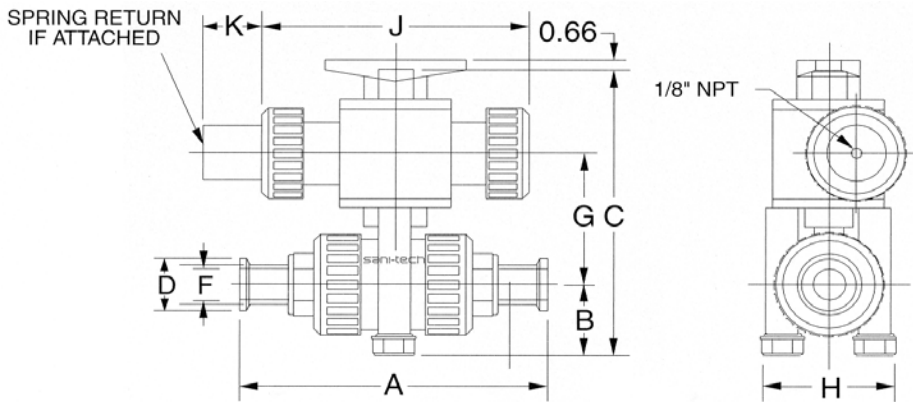


SC=Spring Closed, **SO**=Spring Open, **DA**=Double Acting

SIZE	PART #	A	B	Cv
MINI	(T,K)DV075SC	5.65	4.70	4.00
MINI	(T,K)DV075SO	4.23	4.70	4.00
MINI	(T,K)DV075DA	4.23	4.70	4.00
MAXI	(T,K)DV100SC	5.65	5.50	12.3
MAXI	(T,K)DV100SO	4.23	5.50	12.3
MAXI	(T,K)DV100DA	4.23	5.50	12.3
LADISH	(T,K)DV100LSC	5.65	5.65	12.3
LADISH	(T,K)DV100LSO	4.23	5.65	12.3
LADISH	(T,K)DV100LDA	4.23	5.65	12.3
1 1/2"	(T,K)DV150SC	7.74	6.90	21.0
1 1/2"	(T,K)DV150SO	5.97	6.90	21.0
1 1/2"	(T,K)DV150DA	5.97	6.90	21.0
2"	(T,K)DV200LSC	7.74	7.32	29.2
2"	(T,K)DV200LSO	5.97	7.32	29.2
2"	(T,K)DV200LDA	5.97	7.32	29.2
2 1/2"	(T,K)DV250SC	9.51	8.90	53.7
2 1/2"	(T,K)DV250SO	7.30	8.90	53.7
2 1/2"	(T,K)DV250DA	7.30	8.90	53.7
3"	(T,K)DV300SC	12.95	15.5	91.0
3"	(T,K)DV300SO	10.5	15.5	91.0
3"	(T,K)DV300DA	10.5	15.5	91.0

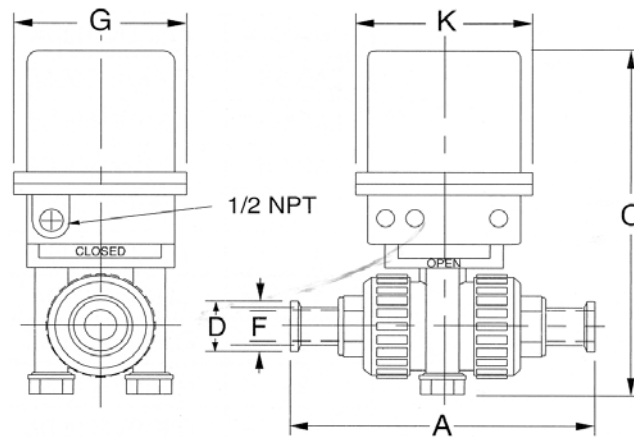
EPDM DIAPHRAGM IS STANDARD
ADD "TF" TO END OF PART # FOR FLOUROPOLYMER DIAPHRAGM

2 Way Air Ball Valves



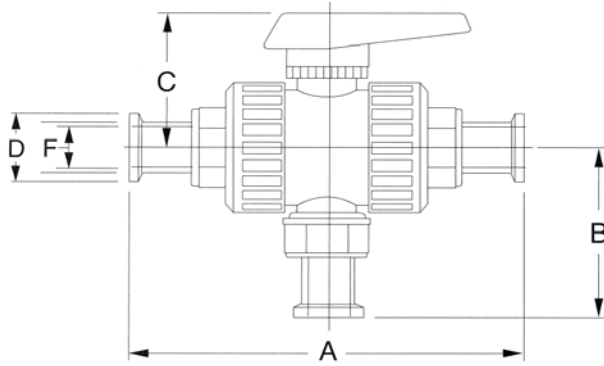
SIZE	PART #	A	B	C	D	F	G	H	J	K	Cv
MINI	(T,K)BV075A	4.85	1.3	5.6	0.992	0.560	1.7	2.6	5.8	2.8	10
MAXI	(T,K)BV100A	5.20	1.9	7.8	1.500	0.856	3.7	3.3	7.3	2.8	40
1 1/2"	(T,K)BV150A	7.25	2.5	10.7	3.047	1.356	4.8	4.2	10.5	4.0	100
2"	(T,K)BV200A	7.25	2.5	10.7	2.516	1.856	4.8	4.2	10.5	4.0	120
2 1/2"	(T,K)BV250A	8.45	2.5	10.7	1.984	1.356	4.8	4.2	10.5	4.0	130

2 Way Electric Actuated Ball Valves



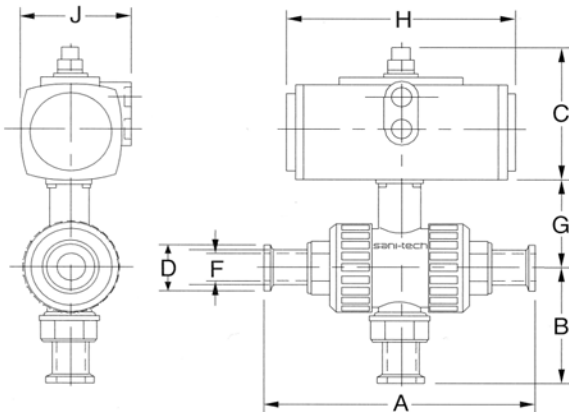
SIZE	PART #	A	C	D	F	G	K	Cv
MINI	(T,K)BV075E	5.20	10.3	1.500	0.856	4.80	5.40	40
MAXI	(T,K)BV100E	5.20	10.3	1.984	0.856	4.80	5.40	40
LADISH	(T,K)BV100L	7.25	11.9	1.984	1.356	5.80	7.60	100
1 1/2"	(T,K)BV150E	7.25	11.9	2.516	1.856	5.80	7.60	120
2"	(T,K)BV200E	8.45	11.9	3.047	2.356	5.80	7.60	120
2 1/2"	(T,K)BV250E	4.85	9.00	0.992	0.560	4.80	5.40	10

3 Way Ball Valves



SIZE	PART #	A	B	C	D	F	Cv
MINI	(T,K)BV0753W	6.00	3.10	1.75	0.992	0.560	11.9
MAXI	(T,K)BV1003W	6.85	3.35	2.15	1.500	0.856	46.8
LADISH	(T,K)BV100L3W	6.85	3.35	2.15	1.984	0.856	46.8
1 1/2"	(T,K)BV1503W	8.30	4.45	3.85	1.984	1.356	140.0
2"	(T,K)BV2003W	8.30	4.45	3.85	2.516	1.856	185.0
2 1/2"	(T,K)BV2503W	9.95	4.85	4.45	3.047	2.356	320.0
3"	(T,K)BV3003W	12.60	6.25	6.15	3.579	2.856	430.0

3 Way Air to Air Ball Valves



AIR CONSUMPTION DATA

SIZE	OPEN PORT A	CLOSED PORT B
MINI - 2"	9.0	7.5
2 1/2" - 3"	19.5	17.0

CYCLE TIME SECONDS

SIZE	OPEN PORT A	CLOSED PORT B
MINI - 2"	0.35	0.30
2 1/2" - 3"	0.65	0.50



SIZE	PART #	A	B	C	D	F	G	H	J	Cv
MINI	(T,K)BV0753WAA	6.00	3.10	4.41	0.992	0.560	1.95	4.85	2.80	5.00
MAXI	(T,K)BV1003WAA	6.85	3.35	4.41	1.500	0.856	2.46	4.85	2.80	10.0
1 1/2"	(T,K)BV1503WAA	8.30	4.45	4.41	1.984	1.356	3.85	4.85	2.80	37.0
2"	(T,K)BV2003WAA	8.30	4.45	4.41	2.516	1.856	4.00	4.85	2.80	50.0
2 1/2"	(T,K)BV2503WAA	9.95	4.85	5.00	3.047	2.356	5.12	7.10	3.66	82.0
3"	(T,K)BV3003WAA	12.6	6.25	5.00	3.579	2.856	5.50	7.10	3.66	112.0

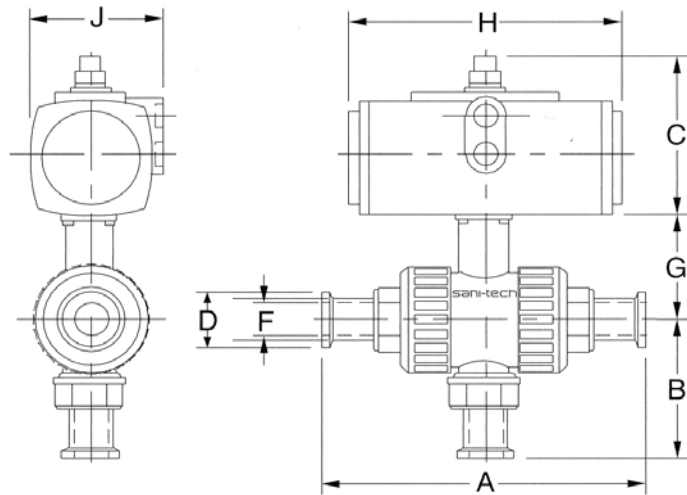
3 Way Air to Spring Ball Valves

CYCLE TIME SECONDS

SIZE	OPEN PORT A	CLOSED SPRING
MINI - 2"	0.45	0.40
2 1/2" - 3"	1.45	1.55

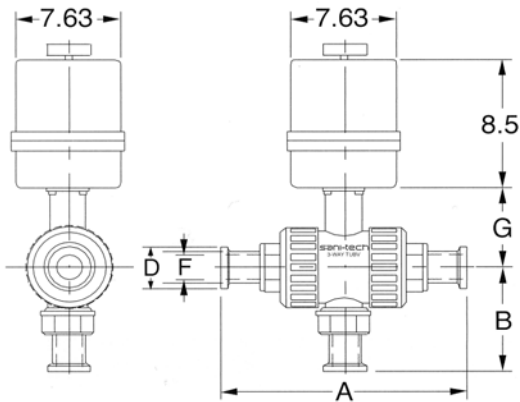
AIR CONSUMPTION DATA

SIZE	AIR STROKE
MINI - 2"	9.0
2 1/2" - 3"	19.5



SIZE	PART #	A	B	C	D	F	G	H	J	Cv
MINI	(T,K)BV0753WAS	6.00	3.10	4.41	0.992	0.560	2.75	6.00	2.80	5.00
MAXI	(T,K)BV1003WAS	6.85	3.35	4.41	1.500	0.856	2.75	6.00	2.80	10.0
1 1/2"	(T,K)BV1503WAS	8.30	4.45	4.41	1.984	1.356	3.85	6.00	2.80	37.0
2"	(T,K)BV2003WAS	8.30	4.45	4.41	2.516	1.856	4.00	6.00	2.80	50.0
2 1/2"	(T,K)BV2503WAS	9.95	4.85	6.50	3.047	2.356	4.30	11.90	4.64	82.0
3"	(T,K)BV3003WAS	12.6	6.25	6.50	3.579	2.856	5.25	11.90	4.64	112.0

3 Way Electric Actuated Ball Valves



SIZE	PART #	A	B	D	F	G	Cv
MINI	(T,K)BV0753WE	6.00	3.10	0.992	0.560	2.75	5.0
MAXI	(T,K)BV1003WE	6.85	3.35	1.500	0.856	2.75	10
1 1/2"	(T,K)BV1503WE	8.30	4.45	1.984	1.356	3.85	37
2"	(T,K)BV2003WE	8.30	4.45	2.516	1.856	4.00	50
2 1/2"	(T,K)BV2503WE	9.95	4.85	3.047	2.356	4.30	82
3"	(T,K)BV3003WE	12.60	6.25	3.579	2.856	5.25	112

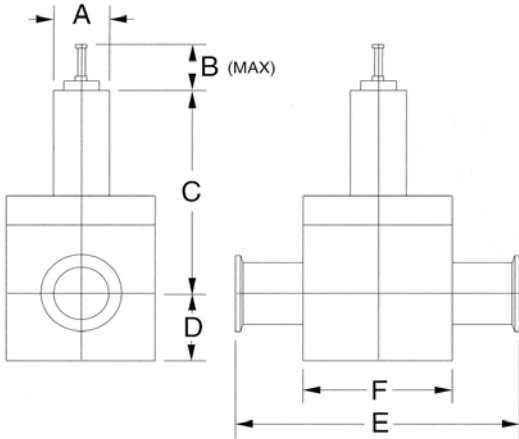
ELECTRICAL DATA

SIZE	CURRENT (AMPS)							CYCLE TIME
	12 VAC	24 VAC	115 VAC	230 VAC	12VDC	24 VDC		
MINI - 2 1/2"	5.9	2.9	0.6	.05	1.0	0.5	25, 4, 5, 7.5,	
3"	5.9	2.9	0.9	0.5	1.0	0.5	15, 22.5	

Pressure Regulating Valves



Designed to handle ultra-pure or corrosive fluids with inlet pressures up to 150 psig at 75°F, and control downstream pressure from 5 to 75 psig. A regulator prevents downstream system pressure from exceeding the desired set pressure. The regulator shuts down when the set pressure is reached to protect downstream equipment and instrumentation. As downstream demand increases, the regulator opens to fill the demand. The design incorporates a poppet seat at the valve orifice to prevent sticking and double U-cap seals on the internal shaft to prevent inlet pressure from affecting the sensing of the downstream line pressure. One-piece body construction eliminates internal leakage.



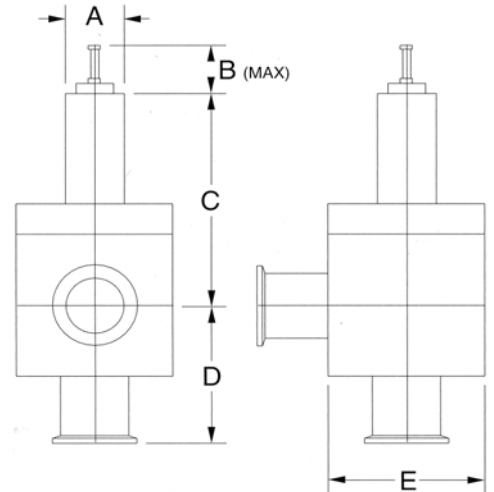
SIZE	PART #	A	B	C	D	E	F
MINI	(T,K)PR075	2.50	1.8	4.0	1.75	2.5	4.75
MAXI	(T,K)PR100	2.88	2.5	7.5	2.50	4.5	6.75
LADISH	(T,K)PR100L	2.88	2.5	7.5	2.50	4.5	6.75
1 1/2"	(T,K)PR150	2.88	2.5	8.0	2.75	5.0	7.25
2"	(T,K)PR200	2.88	2.5	9.4	5.13	7.0	7.75
2 1/2"	(T,K)PR250	5.25	4.0	11.6	6.38	8.6	10.9

Pressure Relief Valves



A very versatile and widely used valve for high purity water and chemical transfer systems. This is a normally closed valve that will open when the manually adjustable set pressure is reached. This valve is used for the following applications: pressure relief valve, back pressure regulator, pressure bypass valve, and back pressure valve. This valve is available in both angle and in-line configurations.

SIZE	PART #	A	B	C	D	E
MINI	(T,K)RV075	2.50	1.00	5.00	2.40	2.50
MAXI	(T,K)RV100	2.50	1.50	5.30	2.60	3.00
1 1/2"	(TK)RV150	3.80	2.00	7.00	3.30	4.30
2"	(T,K)RV200	3.80	2.00	7.00	3.30	4.30



Sani-Tech® and Sani-Pro® are registered trademarks of Saint-Gobain Performance Plastics.
Teflon® and Viton® are registered trademarks of DuPont Performance Elastomers.